

LED CF LOW-PROFILE LED CANOPY LUMINAIRE



This elegant low-profile LED canopy fixture is ideal for parking garages or other applications using Metal Halide (MH), High-Pressure Sodium (HPS) or High Intensity Discharge (HID) luminaires. This fixture features an integral occupancy sensor module that can be commissioned using a hand-held remote for further energy savings. This UL listed & DLC premium luminaire is suitable for damp locations.

PROJECT NAME

PART NUMBER

PART NUMBER BUILDER

MANUFACTURER	MODEL NUMBER	LUMENS	COLOR TEMPERATURE	OPTIONS
RPT	LED CF	3100LM 4500LM 5800LM	4000K 5000K* * CUSTOM ORDER	10VDIM 0-10V DIMMABLE HV 348-480V AC LED DRIVER OCC HI/LO VARIABLE OCCUPANCY SENSOR

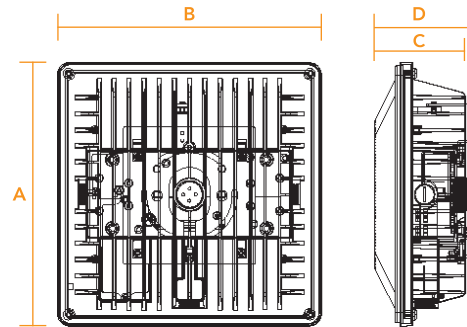
ORDERING EXAMPLE
RPT-LED CF-3100LM-4000K-10VDIM

QUICK SPECS

INPUT VOLTAGE	120-277V AC
EFFICACY	<100 LPW
OPERATING TEMP	-35°C to 55°C
MAX CASE TEMP	55°C
POWER FACTOR/THD	>0.9 Power Factor, THD<15%
CRI	70+
BEAM ANGLE SPREAD	120°
RATED LIFE	L70 LED Lifetime > 100,000 hrs
WARRANTY	10 years

CERTIFICATIONS	   
PERFORMANCE LISTINGS	

DIMENSIONS



DIMENSIONS (INCHES)	A	B	C	D
RPT-LED CF	10.2	10.2	3.5	3.8

RemPhos by Light Efficient Design
lighting on target

FOR LIGHT EFFICIENT DESIGN PRODUCT INFO CALL Light Efficient Design, a division of TADD, LLC • 188 S. Northwest Highway • Cary, IL • 60013 • 847.380.3540 • led-llc.com
FOR REMPHOS PRODUCT INFO CALL RemPhos by Light Efficient Design • 30 Log Bridge Road, Building 200 • Middleton, MA 01949 • 877.997.3674 • remphos.com

06.01.18 Information is subject to change without notice.

LED^{CF} LOW-PROFILE LED CANOPY LUMINAIRE

ORDERING GUIDE

CASE QTY	QUICK SHIP	DLC	REMPHOS PART #	QUICK SHIP UPC CODE	LUMEN OUTPUT (LM)	WATTAGE (W)	CCT (K)	VOLTAGE RANGE (V AC)	WARRANTY (YRS)	TRADITIONAL EQUIVALENT
4		▲	RPT-LED ^{CF} -3100LM-4000K		3100LM	30	4000	120-277	10	75W MH/HPS
4		▲	RPT-LED ^{CF} -4500LM-4000K		4500LM	40	4000	120-277	10	125W MH/HPS
4	●	▲	RPT-LED ^{CF} -4500LM-4000K-OCC	8440060104855	4500LM	40	4000	120-277	10	125W MH/HPS
4		▲	RPT-LED ^{CF} -5800LM-4000K		5800LM	52	4000	120-277	10	175W MH/HPS

▲ Fixtures are DLC Premium (V3.1 technical requirements)

OPTIONAL FACTORY INSTALLED OCC SENSOR



This fixture can be paired with our integral occupancy sensor for maximum energy savings. Unlike traditional passive infrared sensors (PIR) or Ultrasonic occupancy sensors, this high-frequency sensor can be hidden behind the lens eliminating the need for an external sensor and providing a clean look.

ACCESSORIES



PART#	DESCRIPTION
RPT-HC419VRC-REMOTE	Remote control for fixture commissioning

NOTE The OCC sensor module can be configured either via the dip switches on the module (this requires you to remove the lens) or via the remote. Only one remote is required to commission multiple fixtures.

RemPhos by Light Efficient Design
lighting on target

FOR LIGHT EFFICIENT DESIGN PRODUCT INFO CALL Light Efficient Design, a division of TADD, LLC • 188 S. Northwest Highway • Cary, IL • 60013 • 847.380.3540 • led-llc.com
FOR REMPHOS PRODUCT INFO CALL RemPhos by Light Efficient Design • 30 Log Bridge Road, Building 200 • Middleton, MA 01949 • 877.997.3674 • remphos.com

06.01.18 Information is subject to change without notice.

LED CF LOW-PROFILE LED CANOPY LUMINAIRE

UNIVERSAL REMOTE WORK ON ALL LEDCF'S!
eliminate the costly maintenance of having someone manually change the settings of each fixture.



AT THE CLICK OF A BUTTON YOU CAN CHANGE ANY SETTING YOU WANT WHILE SAFELY STANDING ON THE GROUND!

SURFACE PENDANT MOUNTING!

NO UGLY EXTERNAL SENSOR



BEAUTIFUL RUGGED DESIGN
featuring a fully hidden motion sensor

OTHER CANOPY FIXTURES

FLIMSY SHEET METAL CONSTRUCTION

UGLY EXTERNALLY MOUNTED MOTION SENSOR



BULKY DESIGN WITH POOR LIGHT DISTRIBUTION

LACK OF SENSOR FUNCTION AVAILABILITY

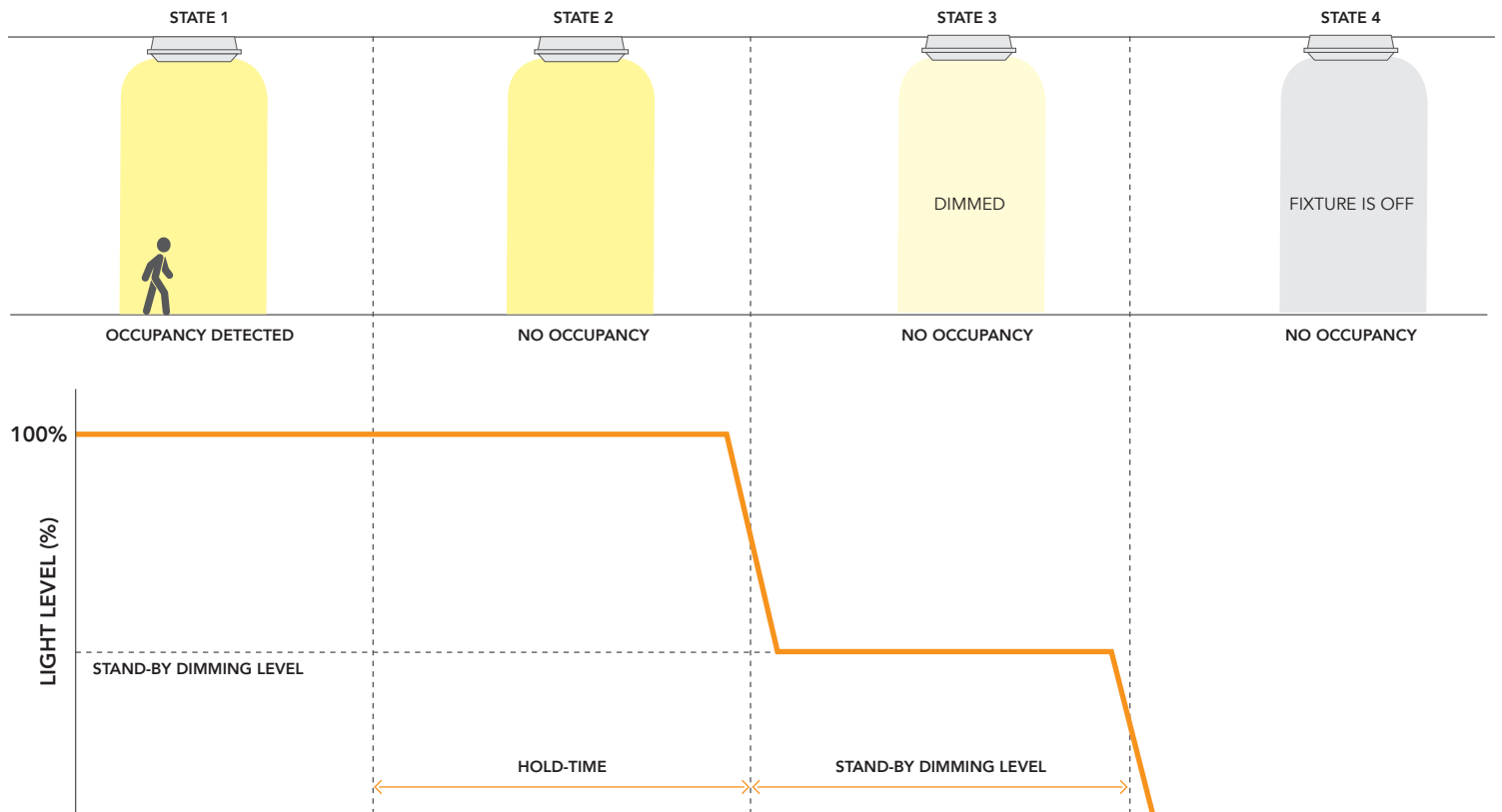
RemPhos by **Light Efficient Design**
lighting on target

FOR LIGHT EFFICIENT DESIGN PRODUCT INFO CALL Light Efficient Design, a division of TADD, LLC • 188 S. Northwest Highway • Cary, IL • 60013 • 847.380.3540 • led-llc.com
FOR REMPHOS PRODUCT INFO CALL RemPhos by Light Efficient Design • 30 Log Bridge Road, Building 200 • Middleton, MA 01949 • 877.997.3674 • remphos.com

06.01.18 Information is subject to change without notice.

LED CF LOW-PROFILE LED CANOPY LUMINAIRE

OPTIONAL FACTORY INSTALLED OCC SENSOR (HC419VRC CONTROL MODULE) – APPLICATION SCENARIO



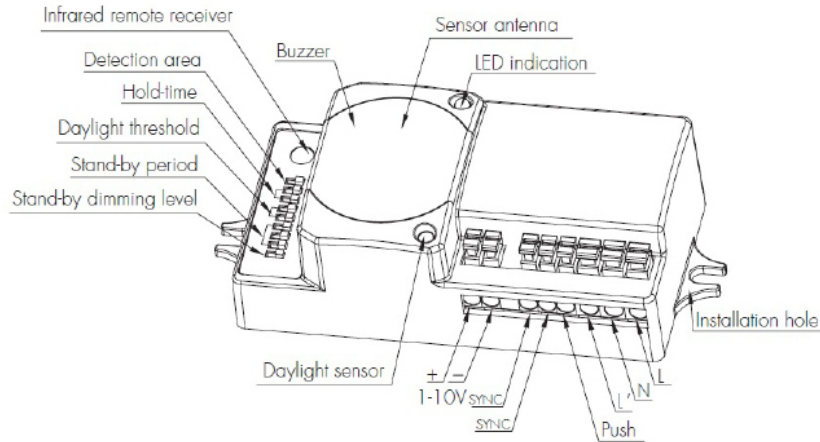
RemPhos by Light Efficient Design
lighting on target

FOR LIGHT EFFICIENT DESIGN PRODUCT INFO CALL Light Efficient Design, a division of TADD, LLC • 188 S. Northwest Highway • Cary, IL • 60013 • 847.380.3540 • led-llc.com
FOR REMPHOS PRODUCT INFO CALL RemPhos by Light Efficient Design • 30 Log Bridge Road, Building 200 • Middleton, MA 01949 • 877.997.3674 • remphos.com

06.01.18 Information is subject to change without notice.

LED CF LOW-PROFILE LED CANOPY LUMINAIRE

OPTIONAL FACTORY INSTALLED OCC SENSOR (HC419VRC CONTROL MODULE) – CONFIGURATION (VIA DIP SWITCHES)



MODEL HC419VRC

HOLD-TIME

	1	2	Hold-Time
I	•	•	5 secs
II	•	○	3 min
III	○	•	10 min
IV	○	○	30 min

DAYLIGHT THRESHOLD

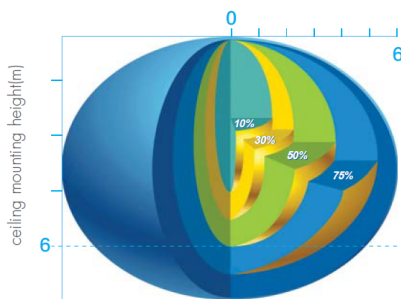
	1	2	Light Levels
I	•	•	Disabled
II	•	○	50 Lux
III	○	•	10 Lux
IV	○	○	2 Lux

STAND-BY PERIOD

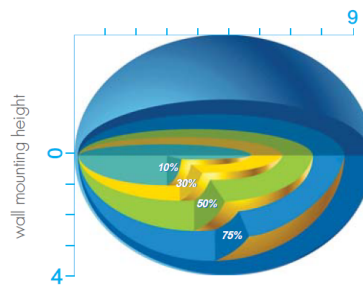
	1	2	3	Stand-by time
I	•	•	•	0 secs
II	•	•	○	10 secs
III	•	○	•	1 min
IV	•	○	○	5 min
V	○	•	•	10 min
VI	○	•	○	30 min
VII	○	○	•	1 hr
VIII	○	○	○	Forever

STAND-BY DIMMING LEVEL

	1	Stand-by dimming level
I	•	10%
II	○	30%



Ceiling mounted detection pattern



Wall mounted detection pattern

SEE NEXT PAGE TO UNDERSTAND BEHAVIOR WHEN STAND-BY PERIOD IS SET TO 'FOREVER'

DETECTION AREA

	1	Detection Area
I	•	100%
II	○	50%

FACTORY DEFAULT SETTINGS

DETECTION AREA: 100%

HOLD-TIME: 10 MIN

DAYLIGHT SENSOR: DISABLED

STAND-BY TIME/PERIOD: FOREVER (THIS MEANS BI-LEVEL DIMMING CONTROL, THE FIXTURES NEVER SWITCHES OFF WHEN THE DAYLIGHT SENSOR IS DISABLED)

STAND-BY DIMMING LEVEL: 30% (AFTER THE HOLD TIME IN THE ABSENCE OF PEOPLE)

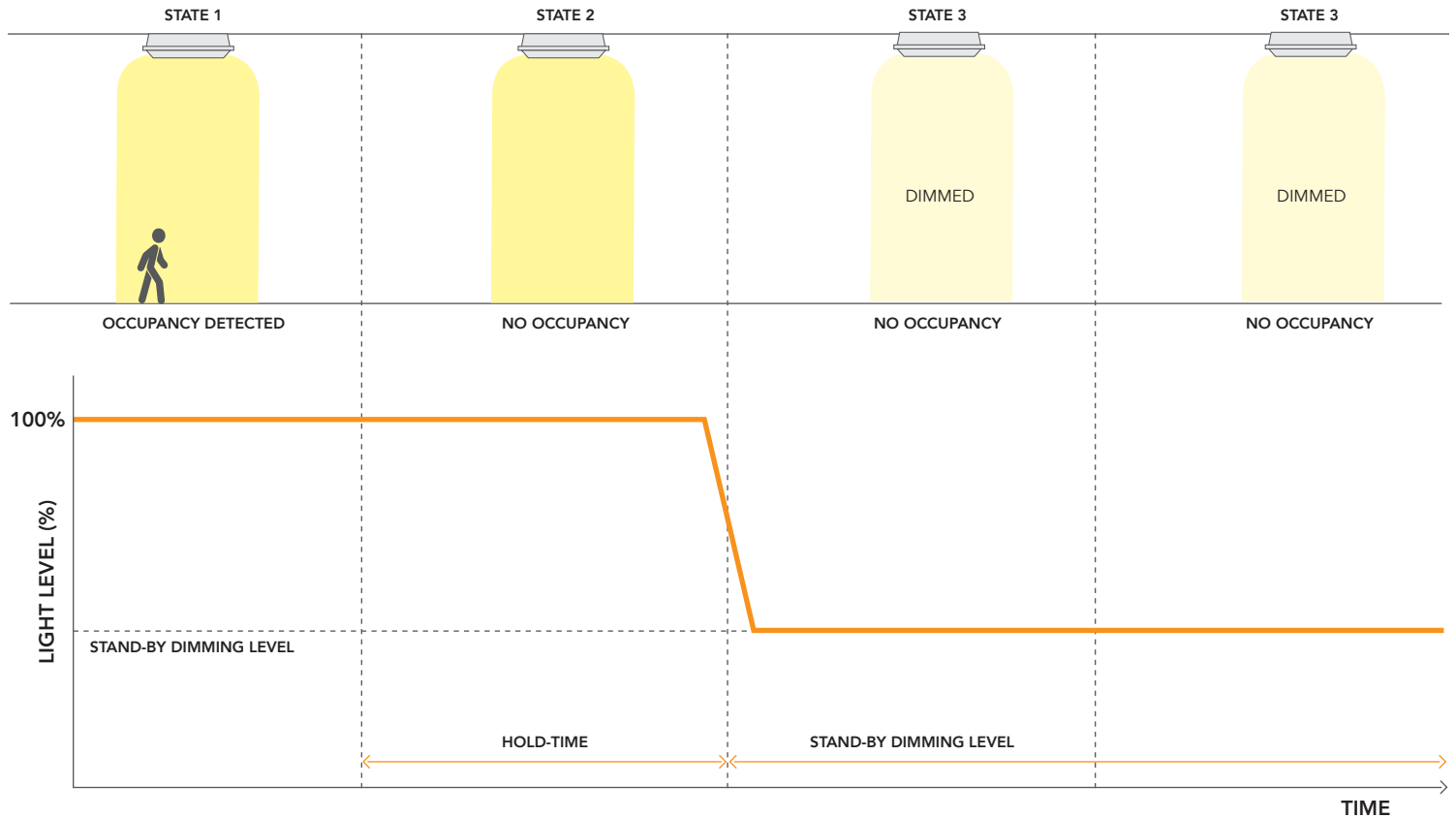
RemPhos by Light Efficient Design
lighting on target

FOR LIGHT EFFICIENT DESIGN PRODUCT INFO CALL Light Efficient Design, a division of TADD, LLC • 188 S. Northwest Highway • Cary, IL • 60013 • 847.380.3540 • led-llc.com
FOR REMPHOS PRODUCT INFO CALL RemPhos by Light Efficient Design • 30 Log Bridge Road, Building 200 • Middleton, MA 01949 • 877.997.3674 • remphos.com

06.01.18 Information is subject to change without notice.

LEDCF LOW-PROFILE LED CANOPY LUMINAIRE

OPTIONAL FACTORY INSTALLED OCC SENSOR (HC419VRC CONTROL MODULE) – APPLICATION SCENARIO



NOTE

- THE FIXTURE NEVER SWITCHES OFF IF THE STAND-BY TIME IS SET TO 'FOREVER' AND THE DAYLIGHT THRESHOLD IS DISABLED
- IF THE DAYLIGHT THRESHOLD IS ENABLED, THE FIXTURE WILL TURN OFF MONETARILY (AUTOMATICALLY) TO PERFORM AN AMBIENT DAYLIGHT MEASUREMENT

RemPhos by Light Efficient Design
lighting on target

FOR LIGHT EFFICIENT DESIGN PRODUCT INFO CALL Light Efficient Design, a division of TADD, LLC • 188 S. Northwest Highway • Cary, IL • 60013 • 847.380.3540 • led-llc.com
FOR REMPHOS PRODUCT INFO CALL RemPhos by Light Efficient Design • 30 Log Bridge Road, Building 200 • Middleton, MA 01949 • 877.997.3674 • remphos.com

06.01.18 Information is subject to change without notice.

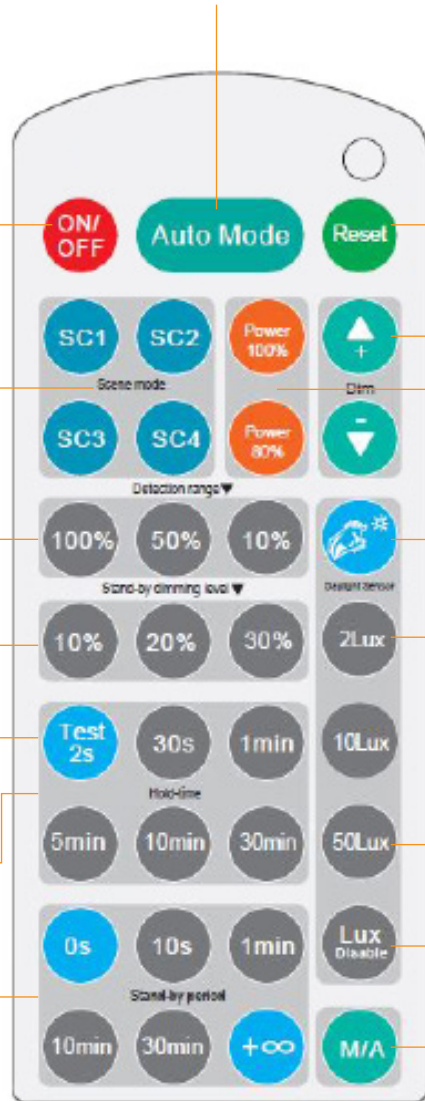
LED CF LOW-PROFILE LED CANOPY LUMINAIRE

RPT-HC419VRC-REMOTE (SETTINGS)

SENSOR IS ENABLED (BASED ON THE LAST SETTING)

MANUALLY TURN ON OR OFF THE FIXTURE (SENSOR DISABLED). To exit this mode, press either 'Auto Mode', 'Reset' or 'Scene Mode'

Scenes	Detection Range	Hold-Time	Stand-by-time	Stand-by dimming level	Daylight sensor
SC1	100%	1 min	10 min	10%	2 Lux
SC2	100%	5 min	10 min	10%	2 Lux
SC3	100%	10 min	30 min	10%	10 Lux
SC4	100%	10 min	Forever	10%	50 Lux



GO BACK TO THE DIP SWITCH SETTINGS

PRESS DIM + OR DIM - TO ADJUST THE LIGHT BRIGHTNESS DURING THE HOLD-TIME. '+' means increase the light level, '-' means decrease the light level.

SHIFT THE LIGHT LEVEL BETWEEN 80% & 100%

BY PRESSING THIS BUTTON THE DAYLIGHT SENSOR STORES THE MEASURED LUX VALUE AS THE NEW DAYLIGHT THRESHOLD.

PRESS THESE BUTTONS TO MANUALLY SET THE DAYLIGHT THRESHOLD

DISABLE THE DAYLIGHT SENSOR. Consequently if motion is detected, the fixture will turn on no matter how bright the natural light is.

BY PRESSING THIS BUTTON, THE SENSOR GOES TO A MANUAL OVERRIDE MODE OR SEMI-AUTO (ABSENCE DETECTION) MODE. The buzzer beeps twice if its manual override and once when it shifts to the semi-auto mode.

SET THE DETECTION RANGE USING THESE BUTTONS

SET THE STAND-BY DIMMING LEVEL USING THESE BUTTONS

BY PRESSING THIS BUTTON THE SENSOR GOES INTO A TEST MODE. The hold-time is set to 2s while the stand-by time and daylight sensor are disabled. This mode can be exited by pressing the 'reset' button or any button of 'scene mode' or 'hold-time'.

SET THE HOLD-TIME USING THESE BUTTONS

SET THE STAND-BY TIME USING THESE BUTTONS. 0s means on/off control +∞ MEANS FOREVER. This is bi-level dimming control and the light never switches off (when the daylight sensor is disabled)

RPT-HC419VRC-REMOTE

THE SENSOR BEEPS ONE TIME WHEN THE REMOTE RECEIVES A SIGNAL SUCCESSFULLY.